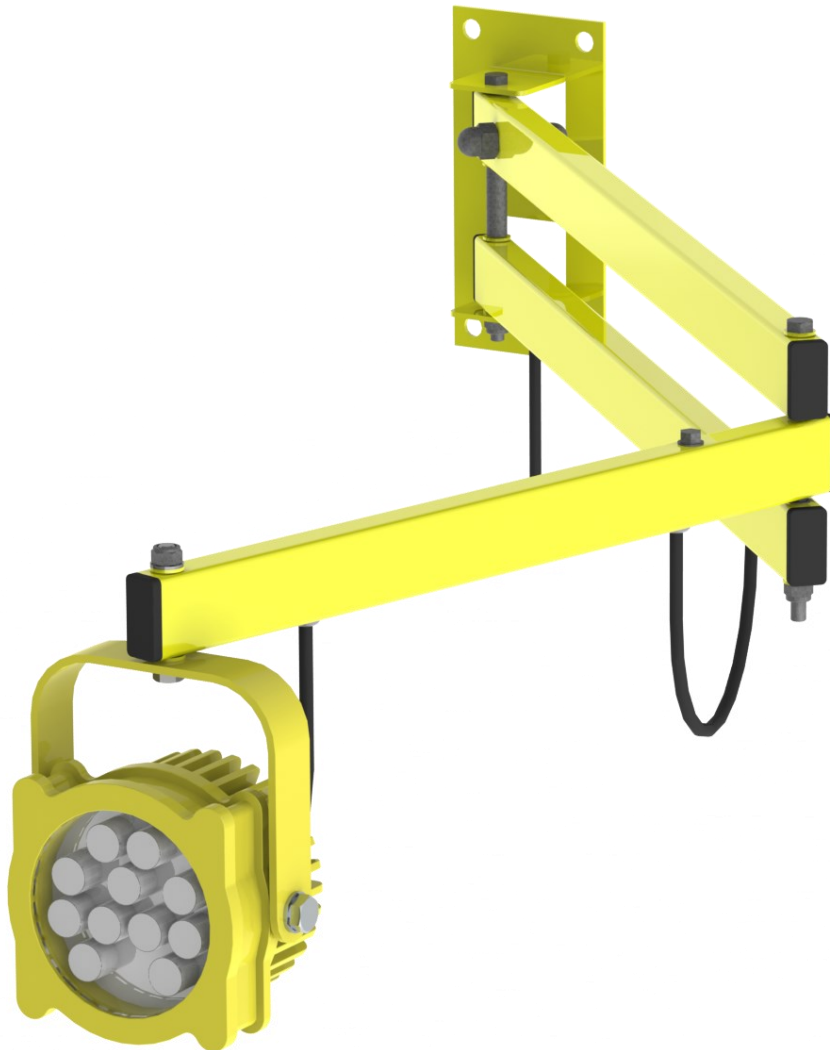


ADL-LED220 dock light



Dock light ADL-LED220

LED dock light to illuminate the full length of truck trailers.

Features

- Uses 89% less energy than 150W models
- Long-life LED's (rated 50.000 hours) deliver bright, uniform, instant on light
- Impact-resistant acrylic lens
- Metallic housing and solid state light source are extremely durable
- Housing remains cool to the touch during operation
- Scope of supply includes kit with lamp, swing arm in safety yellow colour and cabling

ADL-LED220 dock light

Application

The ADL-LED220 dock lights increase safety during loading and unloading. The dock light can be easily be connected on the control panel of the dock leveller, inflatable dock shelter or industrial door.

Operation

To switch on / off, the ADL-LED220 dock light can be connected to the sequence of the control panel of the dock leveller, inflatable dock shelter or industrial door.

Long life and energy saving

The light source has a 50.000 hours average rated life without changing lamps. Powered by only 16W, the ADL-LED220 dock light is also energy efficient and offers an 89% energy saving over an incandescent dock light with a 150W lamp.

Materials

The modular ADL-LED220 dock light delivers instant-on, bright and uniform light, easily illuminating the full length of truck trailers.

The durable cast aluminium housing is powder coated in safety yellow finish for maximum visibility. Small size housing minimizes potential for accidental impact and remains cool to the touch during operation.

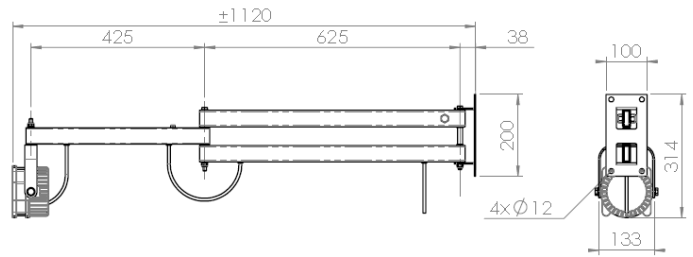
With no filament to break, the LED head is also extremely durable and far more likely to survive an accidental impact.

The double strut dock light arm is made from robust profiles and comes powder coated in safety yellow colour RAL 1023 or galvanized finish.

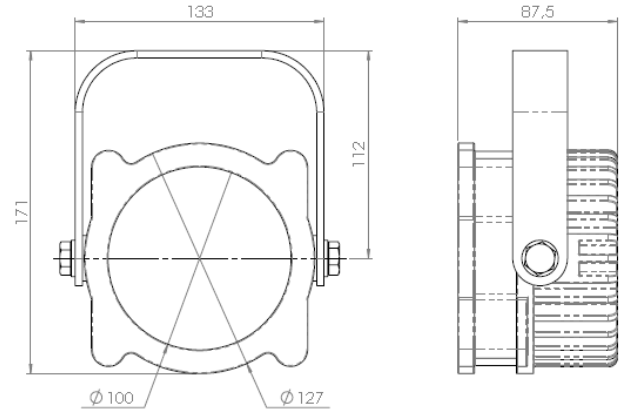
Installation

The ADL-LED220 dock light is supplied as a set including swing arm and wiring. The lamp can be connected directly to the control panel of the dock leveller, inflatable dock shelter or industrial door.

Dimensions with swing arm



Dimensions lamp



Article number	Length (mm)	Width (mm)	Height (mm)	Swing arm	Weight (kg)
ADL-LED220-SET	1120	133	314	RAL 1023	6,8
ADL-LED220-SET-G	1120	133	314	Galvanized	6,8

Technical specifications ADL-LED220 lamp

Standards.....	CE
Dimensions lamp (LxWxH).....	88x133x171 mm
Dimensions with swing arm (LxWxH).....	1120x133x314 mm
Life span.....	50.000 hours
Power consumption.....	16W
Number of LEDs.....	11
Power connection.....	220 V AC
Connection lamp.....	C13 connector
Protection class.....	IP65
Weight (complete set).....	6,8 kg